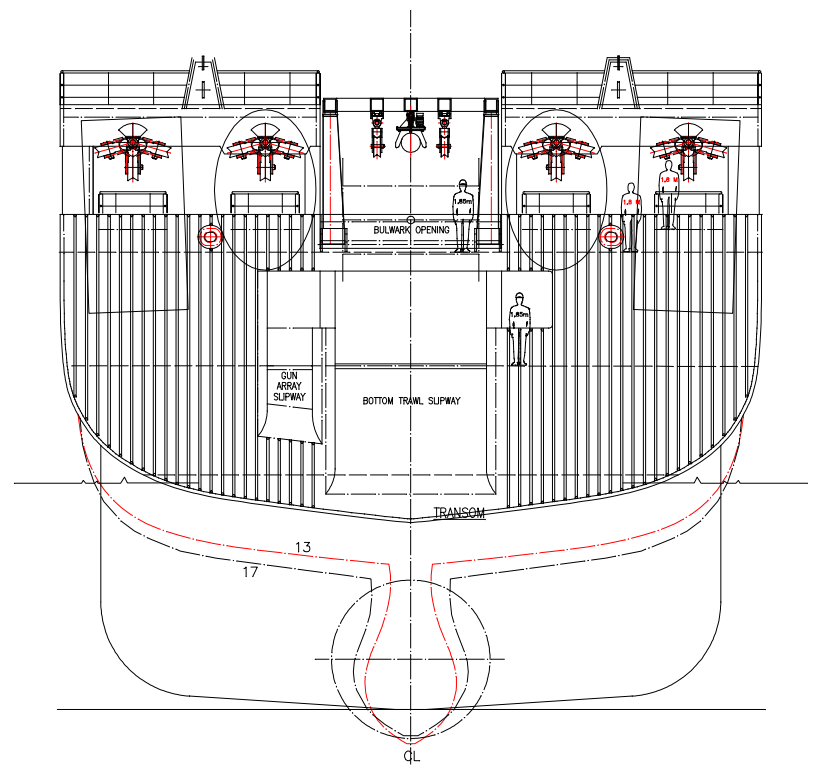
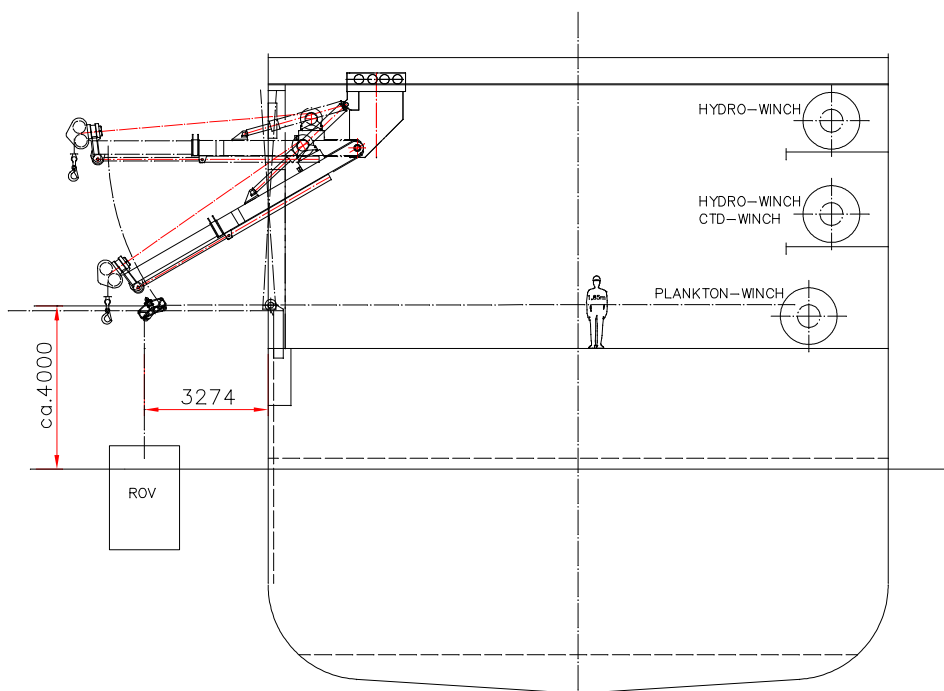


SECTION FR.24



STERN



ROV HANDLING